



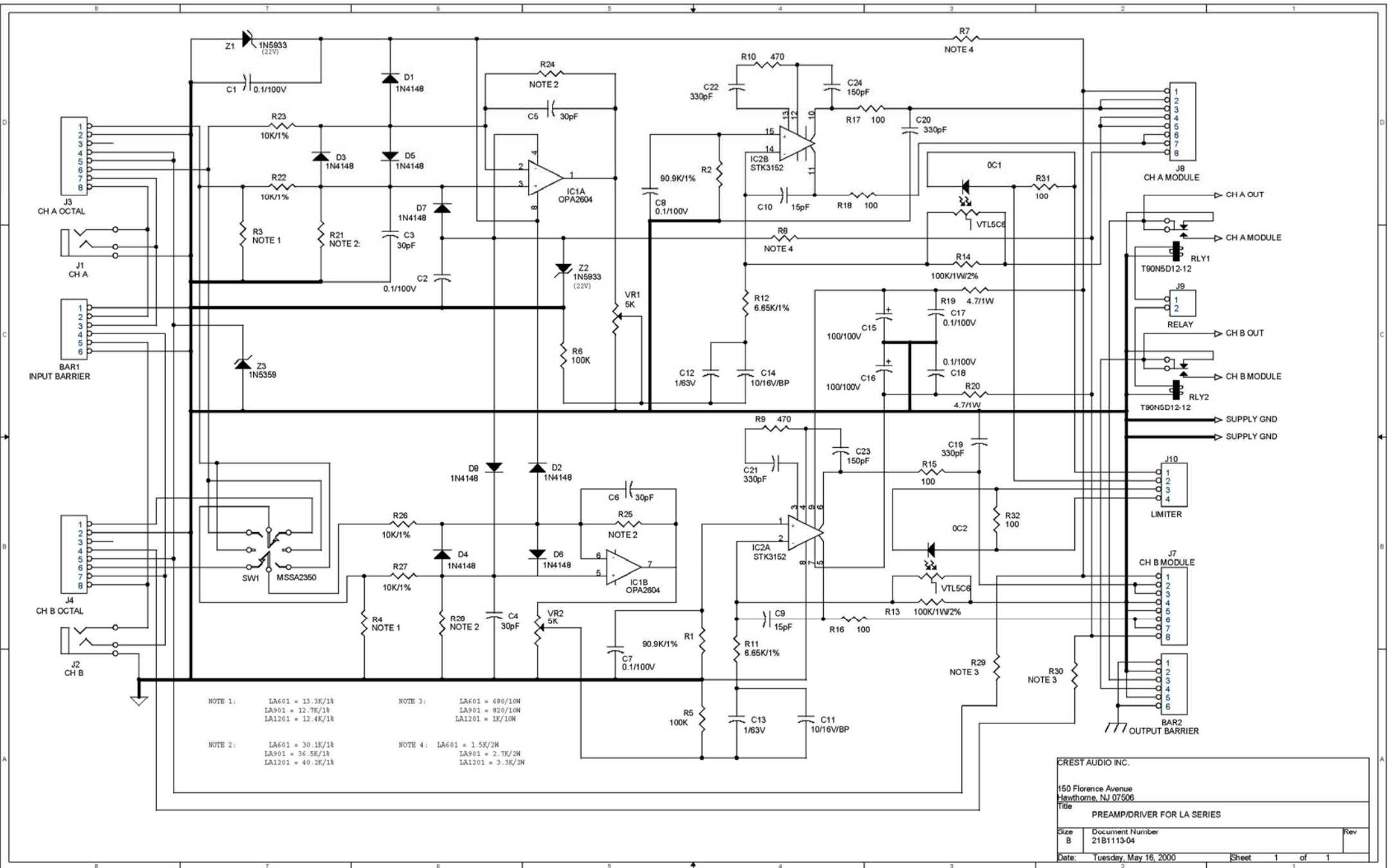
## Schematic set

---

### LA Series power amplifiers

1. LA 601 / 901 / 1201 Preamp
2. LA 601 Power supply
3. LA 901 / 1201 Power supply
4. LA 601 Output stage
5. LA 901 Output stage
6. LA 1201 Output stage

**Note:** The images in this schematic set are formatted for printing on 11" X 17" tabloid size paper. The schematic set can be printed on 8.5" X 11" paper by using the "Shrink to fit" option in Adobe Acrobat reader, however some of the details will be very small.



NOTE 1: LA601 = 13.3K/1%  
 LA901 = 12.7K/1%  
 LA1201 = 12.4K/1%

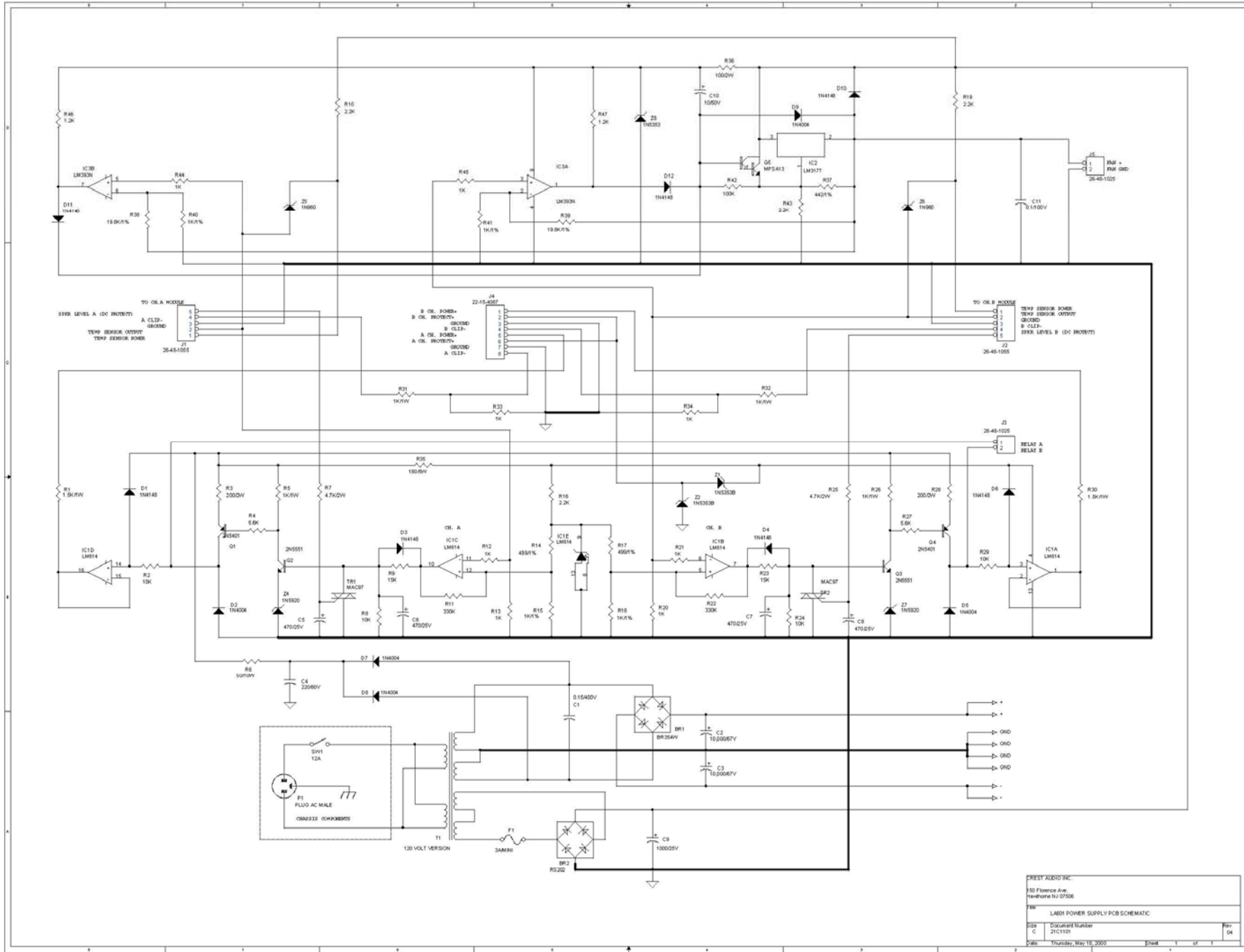
NOTE 2: LA601 = 30.1K/1%  
 LA901 = 36.5K/1%  
 LA1201 = 40.2K/1%

NOTE 3: LA601 = 680/10W  
 LA901 = 920/10W  
 LA1201 = 1K/10W

NOTE 4: LA601 = 1.5K/2W  
 LA901 = 2.7K/2W  
 LA1201 = 3.3K/2W

CREST AUDIO INC.  
 150 Florence Avenue  
 Hawthorne, NJ 07506  
 Title: PREAMP/DRIVER FOR LA SERIES

Size B	Document Number 21B1113-04	Rev
Date: Tuesday, May 16, 2000	Sheet 1 of 1	

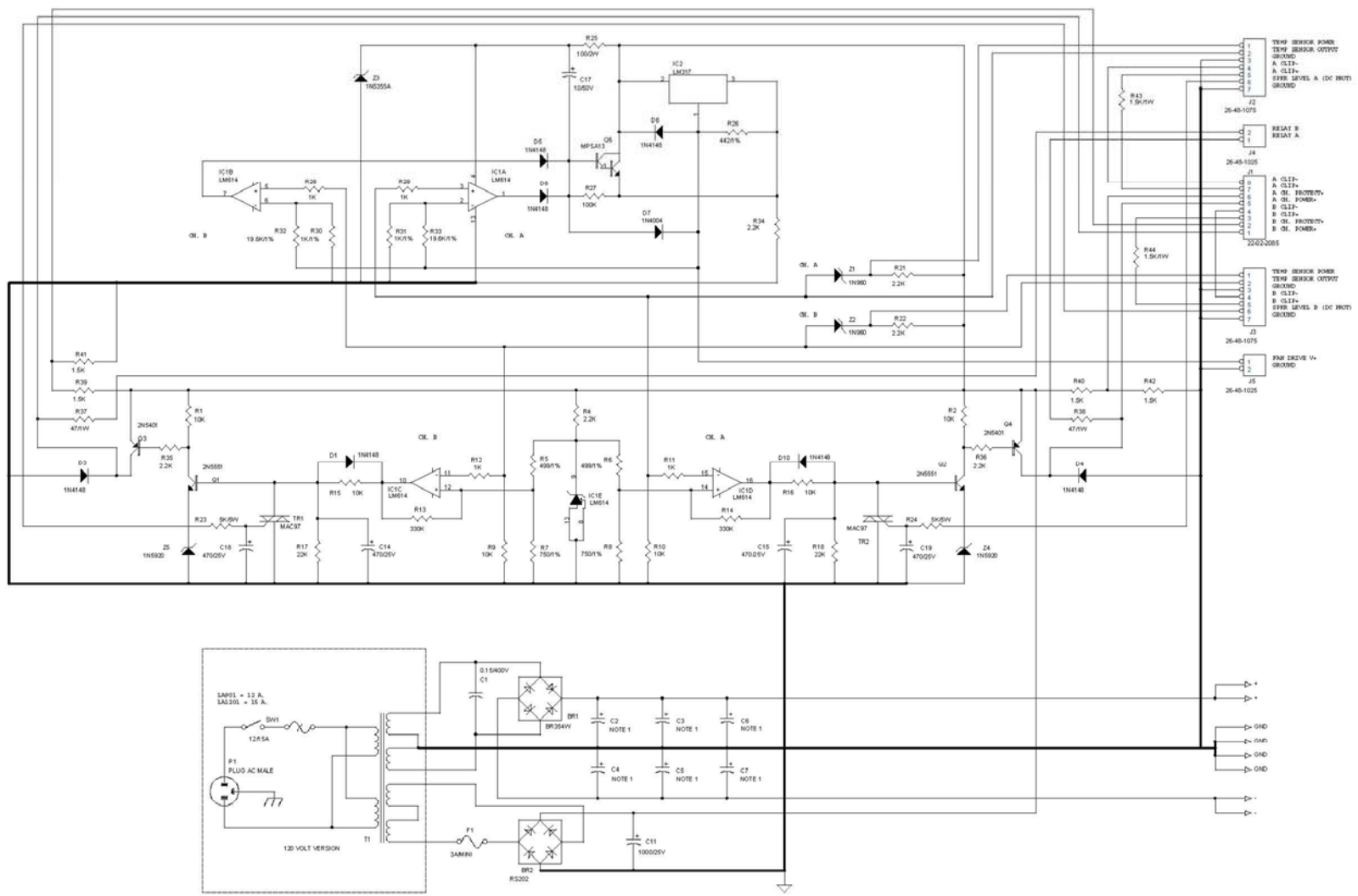


CREST AUDIO INC.  
 150 Florence Ave.  
 Hawthorne NJ 07068

REV: LAD9 POWER SUPPLY PCB SCHEMATIC

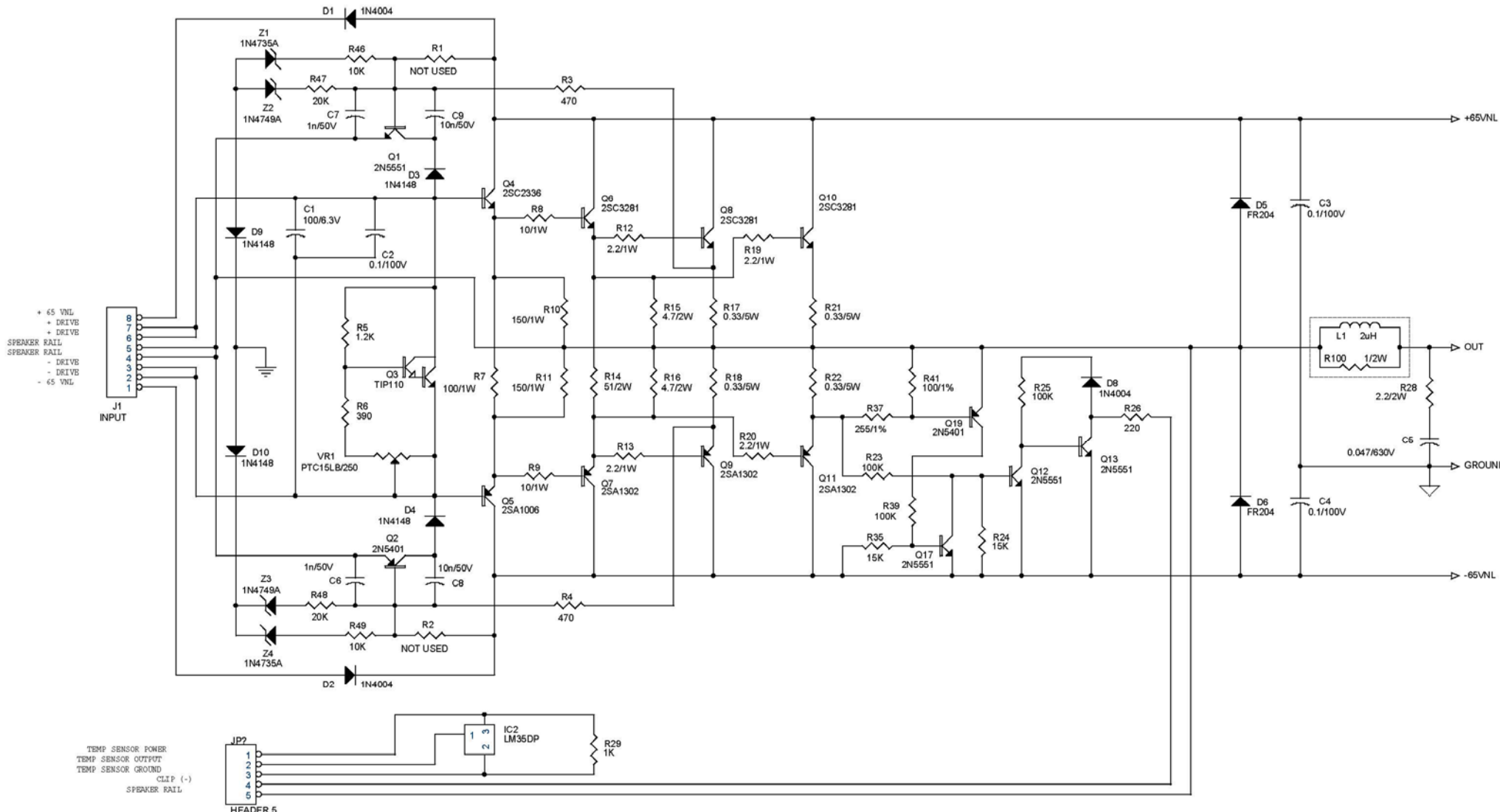
SHEET: 21C1101

DATE: Thursday, May 19, 2005



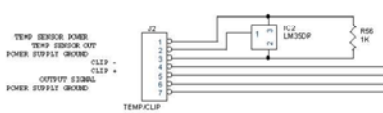
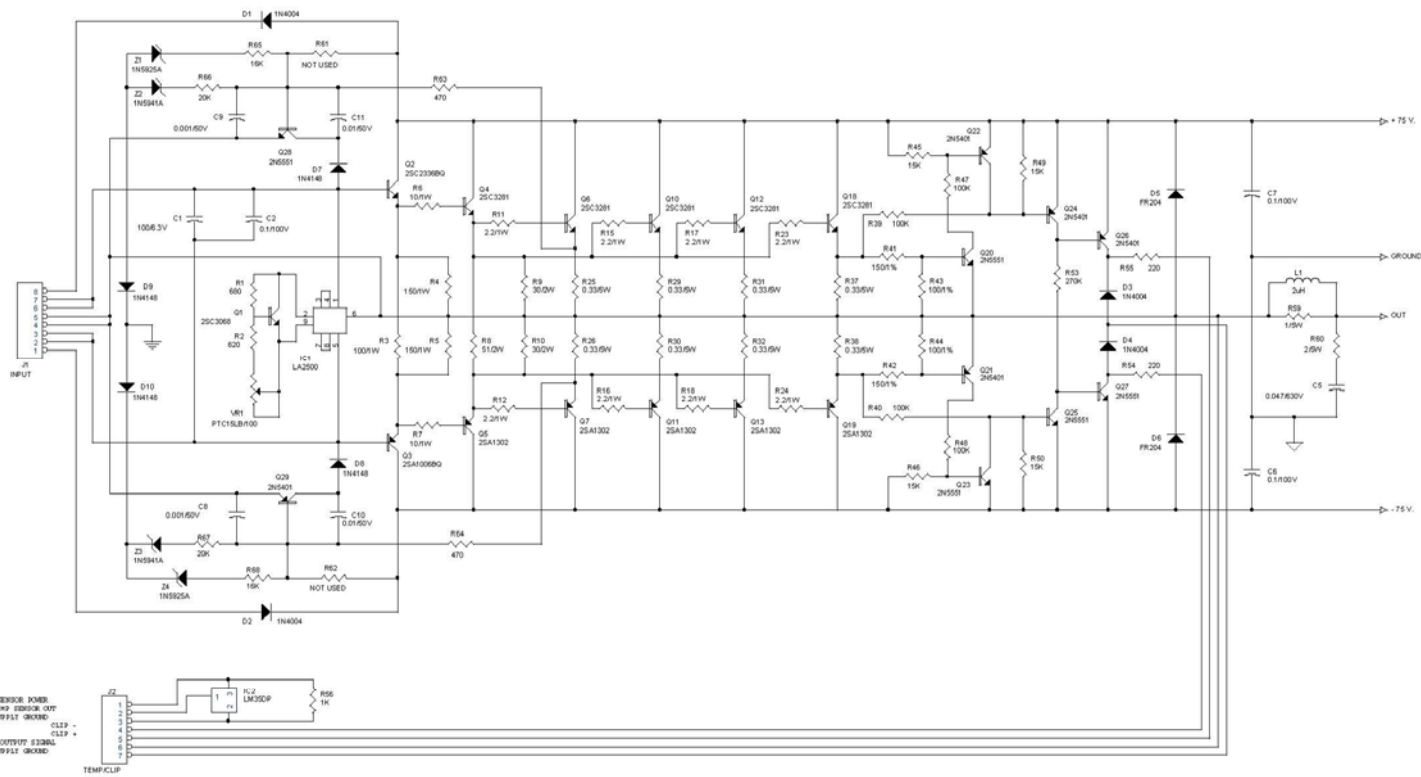
NOTE 1  
 C2 - C5 ARE 7,300uF/50V OR MODEL LAP01. C6, C7 ARE NOT USED.  
 C2 - C7 ARE 6,800uF/50V OR MODEL LA3201.

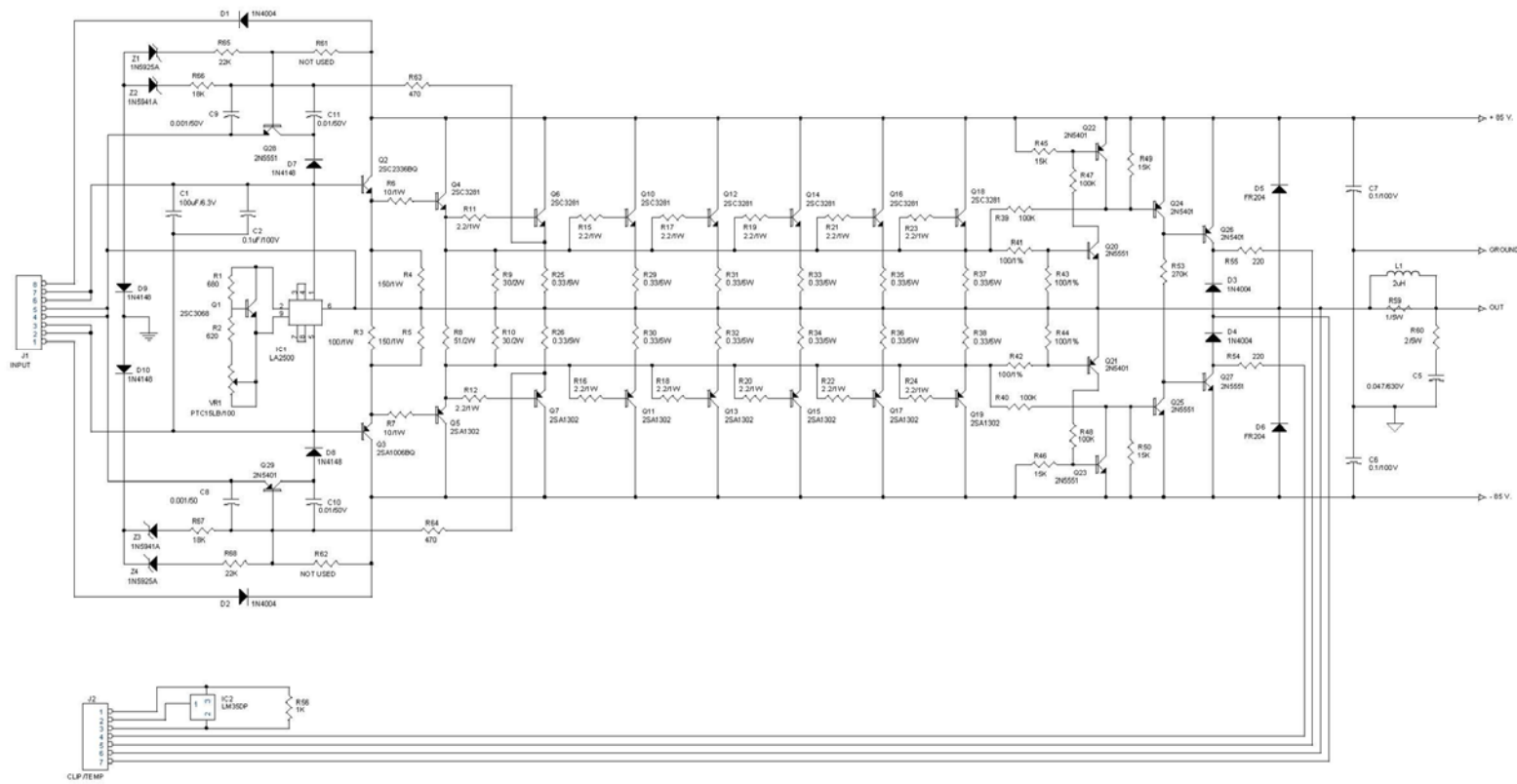
CREST AUDIO INC.	
150 Florence Ave. Hempstead, NY 11550	
PART: LAD917001 POWER SUPPLY/AN DRIVER PCB	
REV: C	Docuport Number: 21C1127
Date: Tuesday, May 16, 2000	Sheet: 1 of 1



4/14/92 R37 changed from 274/1k to 255/1k

CREST AUDIO INC.		
150 Florence Ave. Hawthorne, NJ 07506		
Title LA601 OUTPUT STAGE		
Size B	Document Number 21B1157	Rev 01
Date: Thursday, May 18, 2000	Sheet 1	of 1





CREST AUDIO INC.  
 150 Florence Ave.  
 Hawthorne, NJ 07338  
 Part LA1201  
 Schematic Number 21C1158 Rev 1  
 Date Thursday, May 15, 2003 Sheet 1 of 1



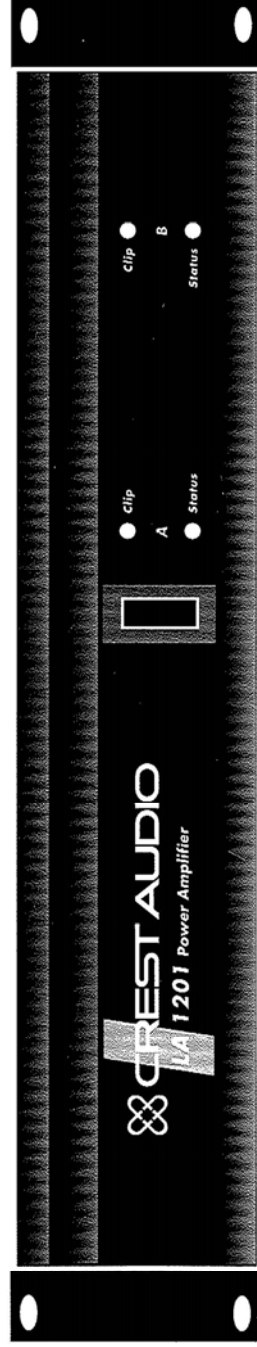
# LA Series Power Amplifiers

The Crest LA Series are high quality, cost effective amplifiers

designed primarily for use in retail applications and other installations. LA Series amplifiers employ many of the features used in Crest's Professional Series amplifiers, and offer sonic performance and reliability previously unavailable in this price range.

Crest's LA Series uses the same high-grade components as the Professional Series. The LA Series is the cost-effective answer for applications that require the audio quality and reliability of our FA Series, but can do without some of their physical features. LA amplifiers are identical in power circuit design to the FA Series and feature an attractive front panel design with LED's showing signal presence, clip, and protection. Rear panel features include 1/4" balanced input connectors and gain controls.

POWER SPECIFICATIONS	FTC' 20 Hz - 20kHz <0.1% THD	EIA at 1kHz <0.05% THD
<b>LA601</b>		
8 ohms stereo	120 watts	150 watts
4 ohms stereo	225	275
8 ohms bridged	400	550
<b>LA901</b>		
8 ohms stereo	225 watts	280 watts
4 ohms stereo	300	350
8 ohms bridged	600	750
<b>LA1201</b>		
8 ohms stereo	280 watts	300 watts
4 ohms stereo	450	475
8 ohms bridged	960	1000

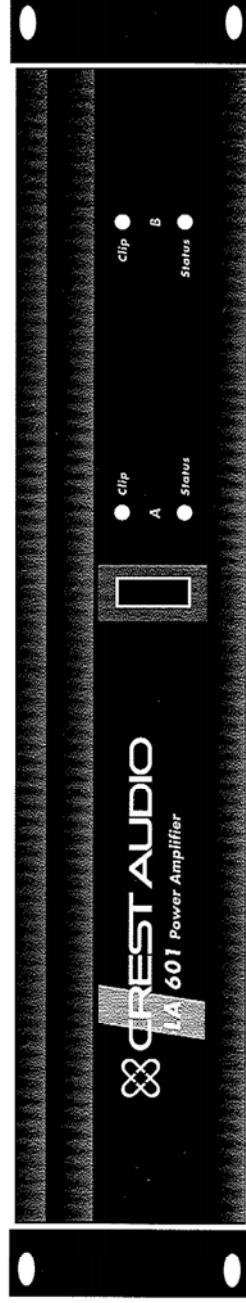




# LA Series

## Power Amplifiers

## LA601 • LA901 • LA1201



GENERAL SPECIFICATIONS	LA601	LA901	LA1201
<b>Max RMS Voltage Swing</b>	40V, per ch.	49V, per ch.	59V, per ch.
<b>Max Peak Voltage Swing</b>	59V, per ch.	69V, per ch.	83V, per ch.
<b>Frequency Response</b>	20 Hz - 20 kHz; +0, -5dB at 200W	20 Hz - 20 kHz; +0, -5dB at 300W	20 Hz - 20 kHz; +0, -5dB at 450W
<b>THD</b>	<0.025% @ 200W into 4 ohms, 1kHz	<0.025% @ 300W into 4 ohms, 1kHz	<0.025% @ 450W into 4 ohms, 1kHz
<b>SMPTe IMD</b>	<0.015% @ 150W into 8 ohms (60 Hz and 7 kHz)	<0.015% @ 225W into 8 ohms (60 Hz and 7 kHz)	<0.015% @ 280W into 8 ohms (60 Hz and 7 kHz)
<b>Slew Rate</b>	>14V / $\mu$ s, input filter bypassed	>14V / $\mu$ s, input filter bypassed	>35V / $\mu$ s, input filter bypassed
<b>Damping Factor</b>	250 : 1, 1 kHz @ 8 ohms	500 : 1, 1 kHz @ 8 ohms	500 : 1, 1 kHz @ 8 ohms
<b>Input CMRR</b>	greater than 90dB	greater than 90dB	greater than 90dB
<b>Voltage Gain</b>	55X standard, others available on request	55X standard, others available on request	61X standard, others available on request
<b>Input Sensitivity</b>	.775V (0 dBu) for full power at 8 ohms	.775V (0 dBu) for full power at 8 ohms	.775V (0 dBu) for full power at 8 ohms
<b>Input Impedance</b>	20k ohms, balanced	20k ohms, balanced	20k ohms, balanced
<b>Hum and Noise</b>	-103.7dB, "A" weighted	-103.7dB, "A" weighted	-103.7dB, "A" weighted
<b>Connectors (per ch.)</b>	1/4" jack (balanced), Octal send/return sockets, 5-way binding post out, terminal strip in/out		
<b>Power Supply</b>		1.3 kVA power transformer, 29,200 $\mu$ f filter capacitance	1.7 kVA power transformer, 40,800 $\mu$ f filter capacitance
<b>Max Current Draw</b>	10.0A, 120V	13.5A, 120V	17A, 120V
<b>Cooling</b>	AC fan	AC fan	AC fan
<b>Controls</b>	2 rear panel attenuators, rear panel mode switch, signal ground lift jumper		
<b>Indicators</b>	2 Clip LED's and 2 bi-color pilot/protection LED's		
<b>Protection</b>	High temperature, DC, turn-on, and short circuit protection		
<b>Construction</b>	Single box chassis, 14 ga. steel	Single box chassis, 14 ga. steel	Single box chassis, 14 ga. steel
<b>Dimensions</b>	3.5" x 19" x 11.5" (8.9cm x 48.3cm x 29.2cm)	3.5" x 19" x 14" (8.9cm x 48.3cm x 35.6cm)	3.5" x 19" x 14" (8.9cm x 48.3cm x 35.6cm)
<b>Gross Weight</b>	30 lbs (13.6 kg)	40 lbs (18.1 kg)	40 lbs (18.1 kg)
<b>Net Weight</b>	28 lbs (12.7 kg)	37.5 lbs (17 kg)	37.5 lbs (17 kg)
<b>Warranty</b>	2 years, parts and labor	2 years, parts and labor	2 years, parts and labor

<sup>1</sup>Continuous sine wave bench power is limited by current rating of front panel circuit breaker.

**Crest Audio reserves the right to make changes or improvements in manufacturing or design which may affect specifications.**

**CREST AUDIO**  
power is serious business.